

# NBC-M12MSD/15,0-93B/M12MSD CMC - Network cable



1524404

<https://www.phoenixcontact.com/us/products/1524404>

Please be informed that the data shown in this PDF document is generated from our online catalog. Please find the complete data in the user documentation. Our general terms of use for downloads are valid.



Network cable, PROFINET CAT5 (100 Mbps), EtherCAT® CAT5 (100 Mbps), 4-position, shielded (Advanced Shielding Technology), Plug straight M12, coding: D / IP67, on Plug straight M12, coding: D / IP67, cable length: 15 m

## Commercial data

Item number	1524404
Packing unit	1 pc
Minimum order quantity	1 pc
Sales key	BF04
Product key	BF1CJN
Catalog page	Page 198 (C-6-2019)
GTIN	4046356021487
Weight per piece (including packing)	1,013.3 g
Weight per piece (excluding packing)	980.6 g
Customs tariff number	85444290
Country of origin	PL

# NBC-M12MSD/15,0-93B/M12MSD CMC - Network cable



1524404

<https://www.phoenixcontact.com/us/products/1524404>

## Technical data

### Notes

General	This product corresponds to the PROFINET Cabling and Interconnection Technology Guideline for PROFINET regulations, version 2.00, order no: 2.252, Chapter 10.1 Cord Sets for Balanced Cabling
General	Further products with variable cable type and variable cable length can be found in the accessories section
General	CMC - Conductor marker carrier - PATG

### Product properties

Product type	Data cable preassembled
Sensor type	PROFINET
Number of positions	4
Application	Standard
No. of cable outlets	1
Shielded	yes
Coding	D

### Insulation characteristics

Overvoltage category	II
Degree of pollution	3

### Interfaces

Bus system	PROFINET
Signal type/category	PROFINET CAT5 (IEC 11801), 100 Mbps EtherCAT® CAT5 (IEC 11801), 100 Mbps

### Signaling

Status display	No
Status display present	No

### Electrical properties

Nominal voltage $U_N$	48 V AC
	60 V DC
Nominal current $I_N$	4 A
Transmission medium	Copper
Transmission characteristics (category)	CAT5 (IEC 11801:2002)

### Material specifications

Flammability rating according to UL 94	V0
--	----

### Connector

Connection 1

# NBC-M12MSD/15,0-93B/M12MSD CMC - Network cable



1524404

<https://www.phoenixcontact.com/us/products/1524404>

Type	Plug straight M12 / IP67
Number of positions	4
Coding type	D (Data)
Handle color	black
Material	CuSn (Contact) Ni/Au (Contact surface) PA (Contact carriers) TPU, hardly inflammable, self-extinguishing (Grip) Zinc die-cast, nickel-plated (Screw connection) FKM (Seal)
Insertion/withdrawal cycles	≥ 100
Contact resistance	≤ 5 mΩ
Insulation resistance	≥ 100 MΩ
Tightening torque	0.4 Nm
Degree of protection	IP67
Ambient temperature (operation)	-25 °C ... 90 °C

## Connection 2

Type	Plug straight M12 / IP67
Number of positions	4
Coding type	D (Data)
Handle color	black
Material	CuSn (Contact) Ni/Au (Contact surface) PA (Contact carriers) TPU, hardly inflammable, self-extinguishing (Grip) Zinc die-cast, nickel-plated (Screw connection) FKM (Seal)
Insertion/withdrawal cycles	≥ 100
Contact resistance	≤ 5 mΩ
Insulation resistance	≥ 100 MΩ
Tightening torque	0.4 Nm
Degree of protection	IP67
Ambient temperature (operation)	-25 °C ... 90 °C

## Cable/line

Cable length	15 m
--------------	------


PROFINET PVC stranded CAT5 [93B]

# NBC-M12MSD/15,0-93B/M12MSD CMC - Network cable



1524404

<https://www.phoenixcontact.com/us/products/1524404>

Dimensional drawing	
Cable weight	67 kg/km
UL AWM Style	21694
Number of positions	4
Shielded	yes
Cable type	PROFINET PVC stranded CAT5 [93B]
Conductor structure	1x4xAWG22/7, SF/TQ
Signal runtime	5.3 ns/m
Signal speed	0.66 c
Conductor structure signal line	7x 0.25 mm
AWG signal line	22
Conductor cross section	4x 0.34 mm <sup>2</sup>
Wire diameter incl. insulation	1.55 mm
External cable diameter	6.5 mm ±0.2 mm
Outer sheath, material	PVC
External sheath, color	green RAL 6018
Conductor material	Tin-plated Cu litz wires
Material wire insulation	PE
Single wire, color	white, yellow, blue, orange
Thickness, outer sheath	approx. 0.9 mm
Overall twist	Star quad
Optical shield covering	85 %
Insulation resistance	≥ 500 MΩ*km
Coupling resistance	≤ 20.00 mΩ/m (at 10 MHz)
Loop resistance	≤ 120.00 Ω/km
Wave impedance	100 Ω ±15 Ω (at 100 MHz)
Nominal voltage, cable	600 V
Test voltage Core/Core	2000 V (50 Hz, 1 min.)
Test voltage Core/Shield	2000 V (50 Hz, 1 min.)
Minimum bending radius, fixed installation	3 x D
Minimum bending radius, flexible installation	7 x D
Smallest bending radius, fixed installation	20 mm
Smallest bending radius, movable installation	46 mm
Near end crosstalk attenuation (NEXT)	80 dB (with 1 MHz) 76 dB (at 4 MHz) 70 dB (at 10 MHz) 65 dB (at 16 MHz)

# NBC-M12MSD/15,0-93B/M12MSD CMC - Network cable



1524404

<https://www.phoenixcontact.com/us/products/1524404>

	63 dB (at 20 MHz)
	60 dB (at 31.25 MHz)
	55 dB (at 62.5 MHz)
	50 dB (at 100 MHz)
Shield attenuation	2.1 dB (with 1 MHz)
	4 dB (at 4 MHz)
	6.3 dB (at 10 MHz)
	8 dB (at 16 MHz)
	9 dB (at 20 MHz)
	11.4 dB (at 31.25 MHz)
	16.5 dB (at 62.5 MHz)
	21.3 dB (at 100 MHz)
Flame resistance	according to UL 1685 (CSA FT 4)
Resistance to oil	Resistant to oil to a limited extent
Other resistance	UV resistant (According to UL 1581, Section 1200)
Ambient temperature (operation)	-40 °C ... 70 °C (cable, fixed installation)
	-40 °C ... 70 °C (Cable, flexible installation)
Ambient temperature (installation)	-20 °C ... 60 °C

## Environmental and real-life conditions

### Ambient conditions

Degree of protection	IP65 (M12 connector)
	IP67 (M12 connector)

## Standards and regulations

### M12

Standard designation	M12 connector
Standards/specifications	IEC 61076-2-101

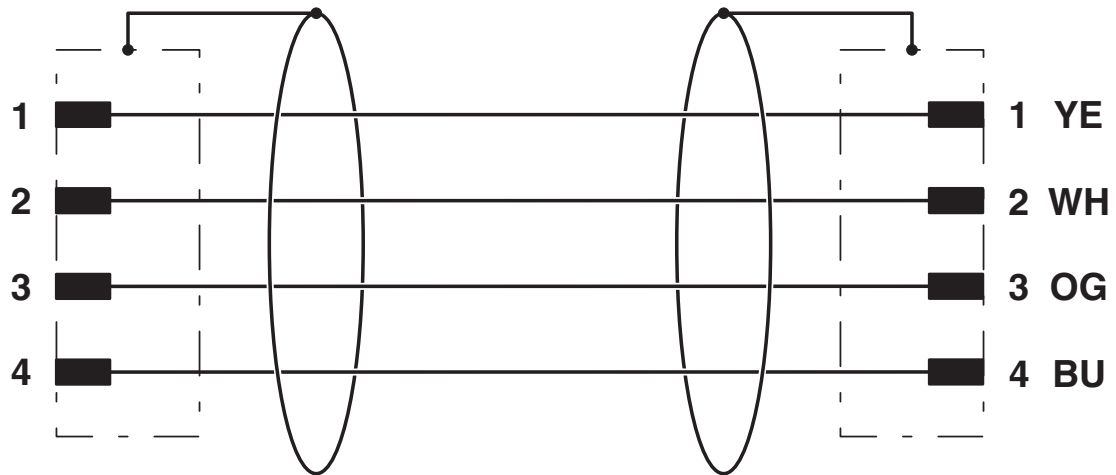
# NBC-M12MSD/15,0-93B/M12MSD CMC - Network cable

1524404

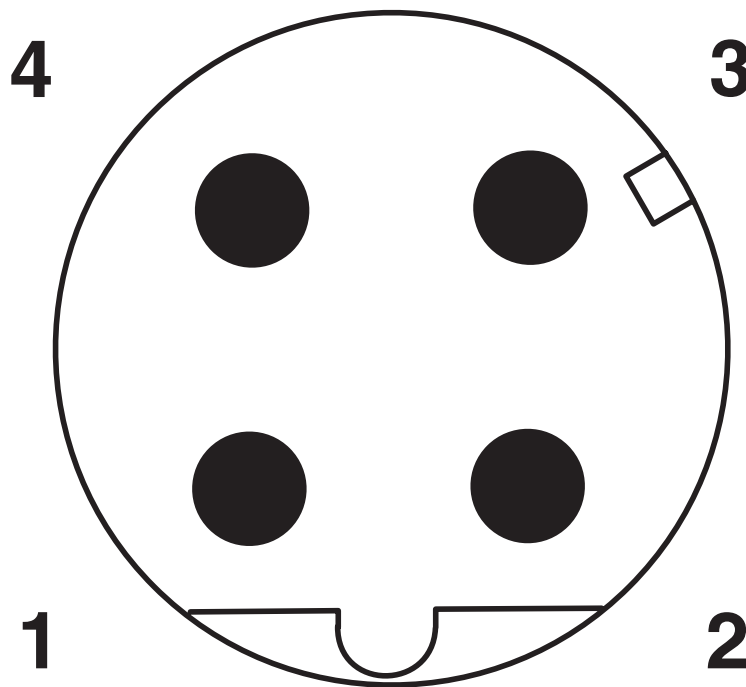
<https://www.phoenixcontact.com/us/products/1524404>

## Drawings

Circuit diagram



Schematic diagram



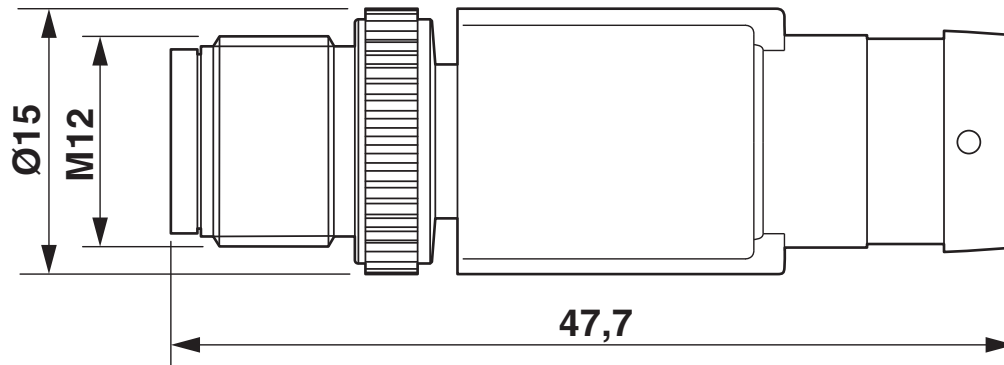
Pin assignment M12 male connector, 4-pos., D-coded, male side

# NBC-M12MSD/15,0-93B/M12MSD CMC - Network cable

1524404

<https://www.phoenixcontact.com/us/products/1524404>

Dimensional drawing



Plug, M12 x 1, straight, shielded

# NBC-M12MSD/15,0-93B/M12MSD CMC - Network cable



1524404

<https://www.phoenixcontact.com/us/products/1524404>

## Approvals

To download certificates, visit the product detail page: <https://www.phoenixcontact.com/us/products/1524404>



**EAC-RoHS**

Approval ID: RU D-DE.HB35.B.00387

# NBC-M12MSD/15,0-93B/M12MSD CMC - Network cable



1524404

<https://www.phoenixcontact.com/us/products/1524404>

## Classifications

### ECLASS

ECLASS-11.0	27060307
ECLASS-12.0	27060307
ECLASS-13.0	27060307

### ETIM

ETIM 9.0	EC001855
----------	----------

### UNSPSC

UNSPSC 21.0	26121600
-------------	----------

# NBC-M12MSD/15,0-93B/M12MSD CMC - Network cable



1524404

<https://www.phoenixcontact.com/us/products/1524404>

## Environmental product compliance

China RoHS	Environmentally friendly use period: unlimited = EFUP-e
	No hazardous substances above threshold values

# NBC-M12MSD/15,0-93B/M12MSD CMC - Network cable



1524404

<https://www.phoenixcontact.com/us/products/1524404>

## Accessories

### NBC-MSD-MSD SCO-PN/.../... - Network cable

1408634

<https://www.phoenixcontact.com/us/products/1408634>



Network cable, PROFINET CAT5 (100 Mbps), EtherCAT® CAT5 (100 Mbps), 4-position, Variable cable type, shielded, Plug straight M12 SPEEDCON, coding: D / IP67, on Plug straight M12 SPEEDCON, coding: D / IP67, cable length: Free input (0.2 ... 40.0 m)

### NBC-MSD-MRD SCO-PN/.../... - Network cable

1408625

<https://www.phoenixcontact.com/us/products/1408625>



Network cable, PROFINET CAT5 (100 Mbps), EtherCAT® CAT5 (100 Mbps), 4-position, Variable cable type, shielded, Plug straight M12 SPEEDCON, coding: D / IP67, on Plug angled M12 SPEEDCON, coding: D / IP67, cable length: Free input (0.2 ... 40.0 m)

# NBC-M12MSD/15,0-93B/M12MSD CMC - Network cable



1524404

<https://www.phoenixcontact.com/us/products/1524404>

## NBC-MRD-MRD SCO-PN/.../... - Network cable

1408624

<https://www.phoenixcontact.com/us/products/1408624>



Network cable, PROFINET CAT5 (100 Mbps), EtherCAT<sup>®</sup> CAT5 (100 Mbps), 4-position, Variable cable type, shielded, Plug angled M12 SPEEDCON, coding: D / IP67, on Plug angled M12 SPEEDCON, coding: D / IP67, cable length: Free input (0.2 ... 40.0 m)

---

## NBC-MSD-FSD SCO-PN/.../... - Network cable

1408617

<https://www.phoenixcontact.com/us/products/1408617>



Network cable, PROFINET CAT5 (100 Mbps), EtherCAT<sup>®</sup> CAT5 (100 Mbps), 4-position, Variable cable type, shielded, Plug straight M12 SPEEDCON, coding: D / IP67, on Socket straight M12 SPEEDCON, coding: D / IP67, cable length: Free input (0.2 ... 40.0 m)

# NBC-M12MSD/15,0-93B/M12MSD CMC - Network cable



1524404

<https://www.phoenixcontact.com/us/products/1524404>

## NBC-MSD-FRD SCO-PN/.../... - Network cable

1408608

<https://www.phoenixcontact.com/us/products/1408608>



Network cable, PROFINET CAT5 (100 Mbps), EtherCAT® CAT5 (100 Mbps), 4-position, Variable cable type, shielded, Plug straight M12 SPEEDCON, coding: D / IP67, on Socket angled M12 SPEEDCON, coding: D / IP67, cable length: Free input (0.2 ... 40.0 m)

---

## NBC-MRD-FSD SCO-PN/.../... - Network cable

1408616

<https://www.phoenixcontact.com/us/products/1408616>



Network cable, PROFINET CAT5 (100 Mbps), EtherCAT® CAT5 (100 Mbps), 4-position, Variable cable type, shielded, Plug angled M12 SPEEDCON, coding: D / IP67, on Socket straight M12 SPEEDCON, coding: D / IP67, cable length: Free input (0.2 ... 40.0 m)

# NBC-M12MSD/15,0-93B/M12MSD CMC - Network cable



1524404

<https://www.phoenixcontact.com/us/products/1524404>

## NBC-MRD-FRD SCO-PN/.../... - Network cable

1408607

<https://www.phoenixcontact.com/us/products/1408607>



Network cable, PROFINET CAT5 (100 Mbps), EtherCAT<sup>®</sup> CAT5 (100 Mbps), 4-position, Variable cable type, shielded, Plug angled M12 SPEEDCON, coding: D / IP67, on Socket angled M12 SPEEDCON, coding: D / IP67, cable length: Free input (0.2 ... 40.0 m)

---

## PROT-M12 FS-PA-CHAIN - Sealing cap

1430873

<https://www.phoenixcontact.com/us/products/1430873>



M12 sealing cap made of plastic with fixing band, for sensor cables, for free M12 plugs

# NBC-M12MSD/15,0-93B/M12MSD CMC - Network cable



1524404

<https://www.phoenixcontact.com/us/products/1524404>

## SAC-M12-EXCLIP-M - Locking clip

1558988

<https://www.phoenixcontact.com/us/products/1558988>



Locking clip for the pin side of sensor/actuator cables with M12 connector and M12 connectors for assembly, for knurl diameter: 15 mm or for Allen key with a wrench size of 14 mm, prevents the disconnection of plug-in connections without tools

---

## TSD 04 SAC - Torque screwdriver

1208429

<https://www.phoenixcontact.com/us/products/1208429>



Torque screwdriver, with preset torque of 0.4 Nm and 4 mm hexagonal drive for M12 connectors

# NBC-M12MSD/15,0-93B/M12MSD CMC - Network cable



1524404

<https://www.phoenixcontact.com/us/products/1524404>

## TSD-M 1,2NM - Torque screwdriver

1212224

<https://www.phoenixcontact.com/us/products/1212224>



Torque screw driver, accuracy as per EN ISO 6789 standard, adjustable from 0.3 - 1.2 Nm

---

## TSD-M SAC-BIT ADAPTER - Adapter insert

1212600

<https://www.phoenixcontact.com/us/products/1212600>



Adapter bit for TSD-M...torque tools, E6.3-1/4" drive with 4 mm hexagon to accommodate SAC bits

# NBC-M12MSD/15,0-93B/M12MSD CMC - Network cable



1524404

<https://www.phoenixcontact.com/us/products/1524404>

## SAC BIT M12-D15 - Tool

1208432

<https://www.phoenixcontact.com/us/products/1208432>



Nut for assembling sensor/actuator cables with M12 connector and M12 connectors for assembly, with a knurl diameter of 15 mm, for 4 mm hexagonal drive

---

Phoenix Contact 2024 © - all rights reserved

<https://www.phoenixcontact.com>

Phoenix Contact USA  
586 Fulling Mill Road  
Middletown, PA 17057, United States  
(+717) 944-1300  
[info@phoenixcon.com](mailto:info@phoenixcon.com)